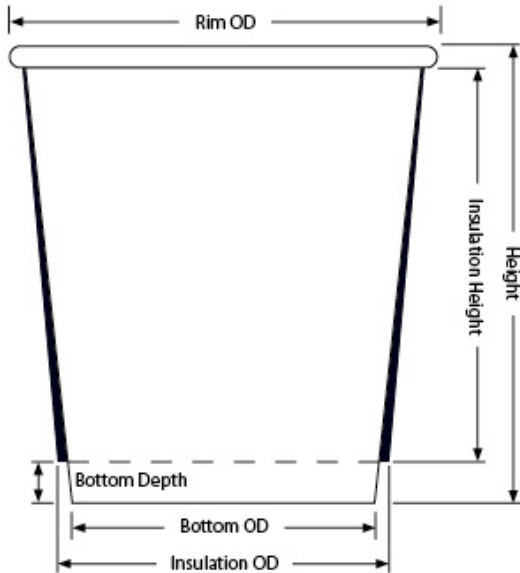




XND9 9oz Drink Cup (D9)

8/9oz Double Wall VANISH® Plastic-FREE Paper Cup



Capacity: 8.80oz / 260.00ml

Material: 15.7pt VANISH® Plastic-FREE, Compostable, Recyclable Paper SFI PEFC Certified

Minimum: 500 pieces

Height: 3.356" ±.015

Rim Height: 0.150" ±.010

Rim OD: 3.143" ±.010

Bottom OD: 2.215" ±.010

Bottom Depth: 0.301" ±.010

Shipping: FOB NV

9oz Drink Cup (D9) available in [Double Wall](#)
[Plastic-Free Double Wall](#)

XND9 Standard Case Pack Configuration

Box Dimensions: 22.00"x13.06"x15.33"

Box Volume: 2.55 Cubic Feet

Box Weight: 19 lbs

Box Content: 500 Pieces

Pallet Dimensions: 40.00"x48.60"x97"

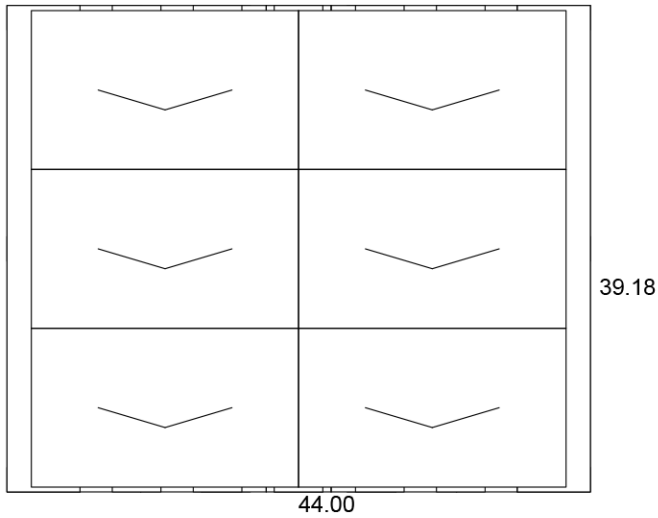
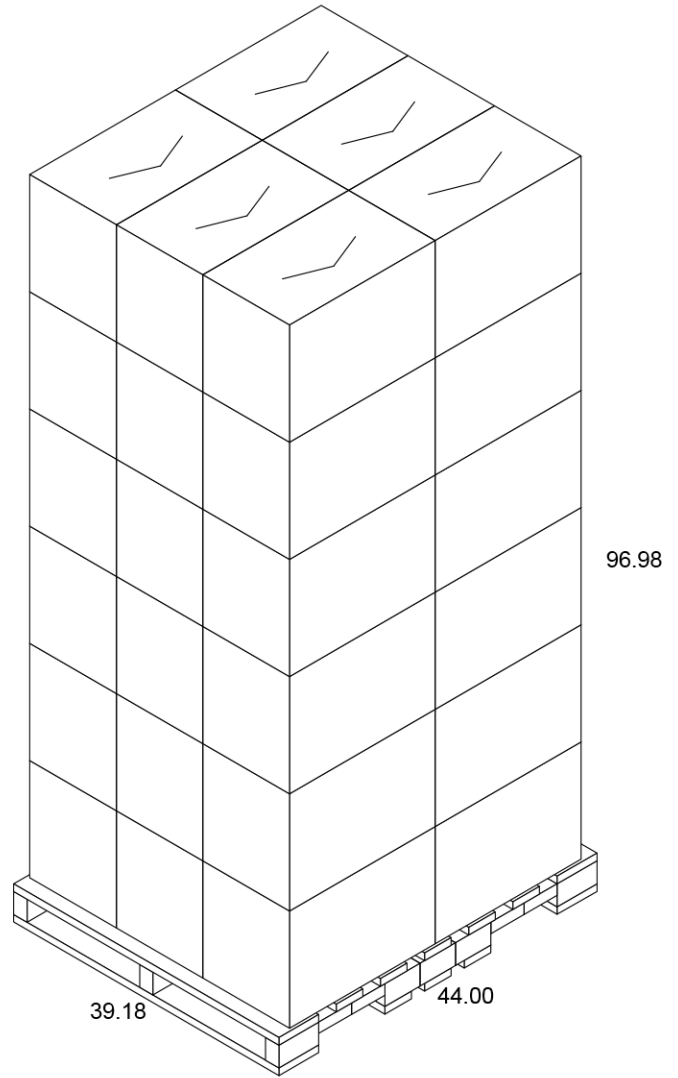
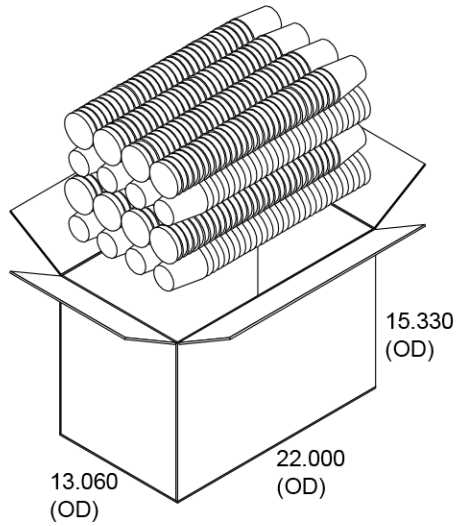
Pallet Weight: 729 lbs

Pallet Content: 18,000 Pieces / 36 Boxes

SEE LID OPTIONS ON LAST PAGE

Pallet for XND9 (Matte)

8/9oz Double Wall VANISH® Plastic-FREE Paper Cup





Lid Options for XND9 (Matte)

8/9oz Double Wall VANISH® Plastic-FREE Paper Cup



Clear Single-Use Lid

- Clear, thermo-formed
- With & without straw slot
- Case: 1,000 - 7 lbs



Cappuccino Lid

- White/Black, thermo-formed
- Vented lid
- Case: 1,000 - 8 lbs