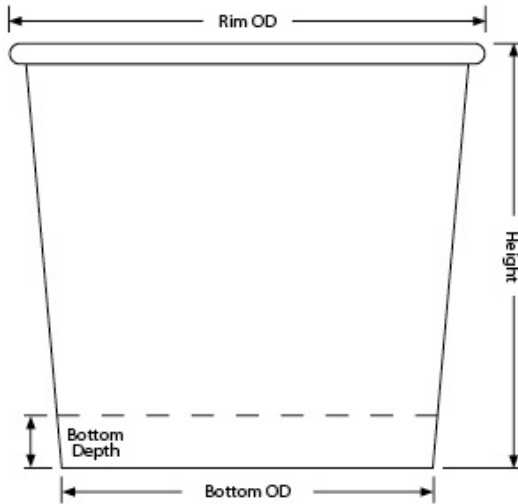




MNU2 Mid 12oz Container (U2)

12oz U2 VANISH Plastic-FREE Paper Container



Capacity: 12.10oz / 358.80ml

Material: 16.7pt Bio Natura Plastic-FREE, Compostable, Recyclable Paper PEFC Certified

Minimum: 2,000 pieces

Height: 3.250" ±.015

Rim Height: 0.150" ±.010

Rim OD: 3.635" ±.010

Bottom OD: 2.843" ±.010

Bottom Depth: 0.400" ±.010

Shipping: FOB NV Made in the USA

Mid 12oz Container (U2) available in [Double-Poly Paper](#) [Single-Poly Paper](#) [Plastic-Free Paper](#)

MNU2 Standard Case Pack Configuration

Box Dimensions: 19.25"x15.25"x23.38"

Box Volume: 3.97 Cubic Feet

Box Weight: 30 lbs

Box Content: 1,000 Pieces

Pallet Dimensions: 40.00"x48.00"x90"

Pallet Weight: 705 lbs

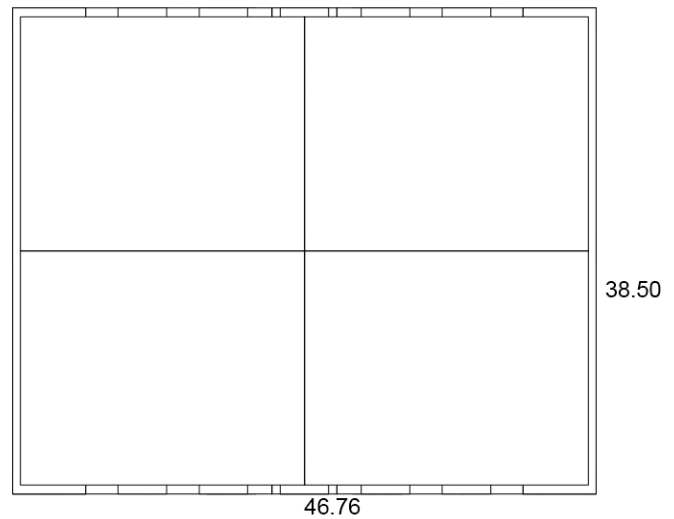
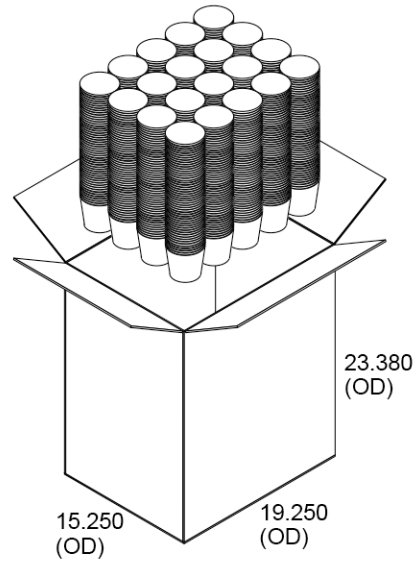
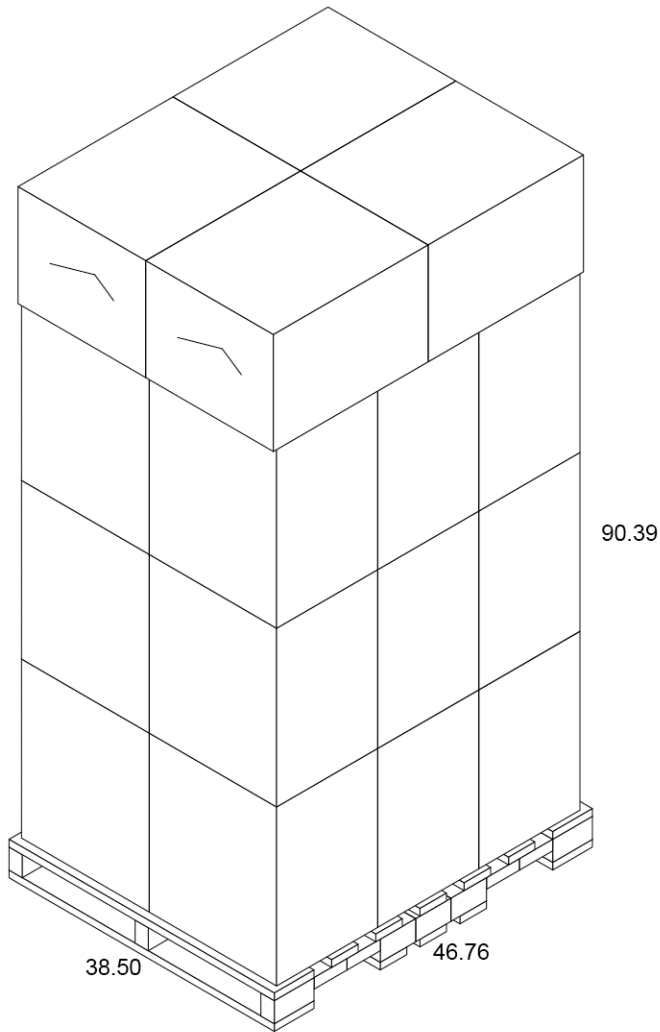
Pallet Content: 22,000 Pieces / 22 Boxes

SEE LID OPTIONS ON LAST PAGE



Pallet for MNU2 (Matte)

12oz U2 VANISH Plastic-FREE Paper Container



Lid Options for MNU2 (Matte)

12oz U2 VANISH Plastic-FREE Paper Container



P2 Printed Snap-Fit Paper

- Hi-Definition, Full Color
- Customizable
- Seamlessly registered text
- Uninterrupted text
- Three week leadtime
- Case: 500 - 11 lbs



Reusable Basic Lid

- Reusable, injection molded
- Black & white standard
- Available in red
- No straw slot
- Call for shipping info