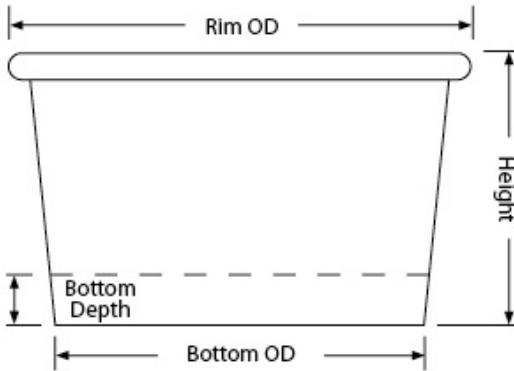




MNT3 3oz Container (T3)

3oz-T3 VANISH® Plastic-FREE Paper Container



Capacity: 3.30oz / 98.40ml

Material: 15.7pt VANISH® Plastic-FREE, Compostable, Recyclable Paper SFI PEFC Certified

Minimum: 2,000 pieces

Height: 1.645" ±.015

Rim Height: 0.150" ±.010

Rim OD: 2.789" ±.010

Bottom OD: 2.215" ±.010

Bottom Depth: 0.301" ±.010

Shipping: FOB NV

3oz Container (T3) available in [Double-Poly Paper Plastic-Free Paper](#)

MNT3 Standard Case Pack Configuration

Box Dimensions: 14.45"x11.66"x16.43"

Box Volume: 1.60 Cubic Feet

Box Weight: 14 lbs

Box Content: 1,000 Pieces

Pallet Dimensions: 40.00"x48.00"x87"

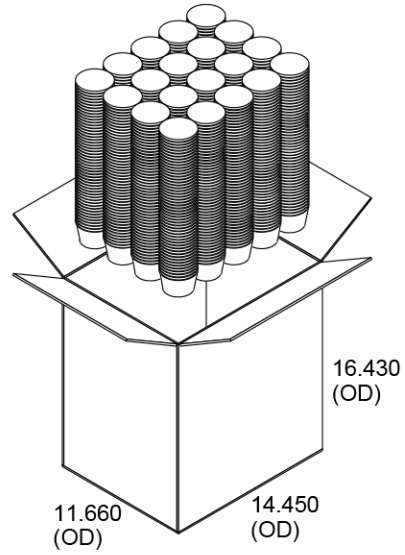
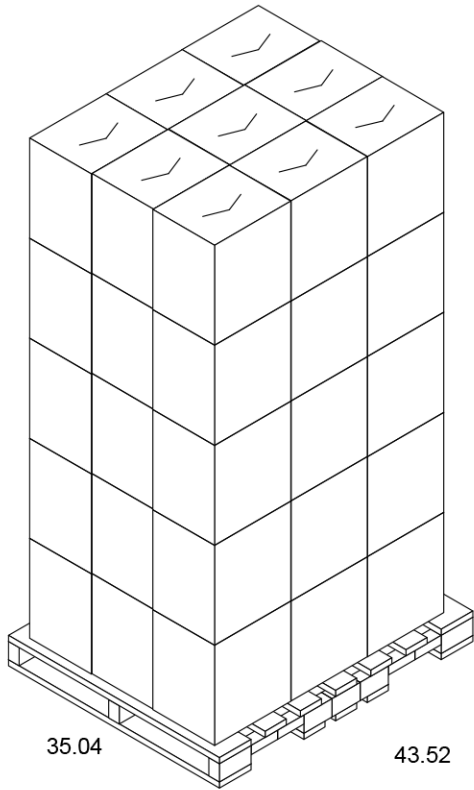
Pallet Weight: 675 lbs

Pallet Content: 45,000 Pieces / 45 Boxes

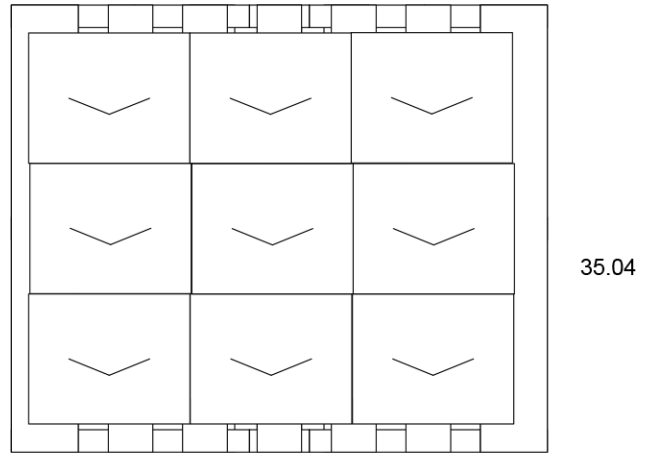
SEE LID OPTIONS ON LAST PAGE

Pallet for MNT3 (Matte)

3oz-T3 VANISH® Plastic-FREE Paper Container



87.15



Lid Options for MNT3 (Matte)

3oz-T3 VANISH® Plastic-FREE Paper Container



P2 Printed Snap-Fit Paper

- Hi-Definition, Full Color
- Customizable
- Seamlessly registered text
- Uninterrupted text
- Three week leadtime
- Call for shipping info



Clear Single-Use Lid

- Clear, thermo-formed
- With & without straw slot
- Call for shipping info



Clear U-Dome Lid

- Clear, thermo-formed
- Container fits in lid
- Call for shipping info