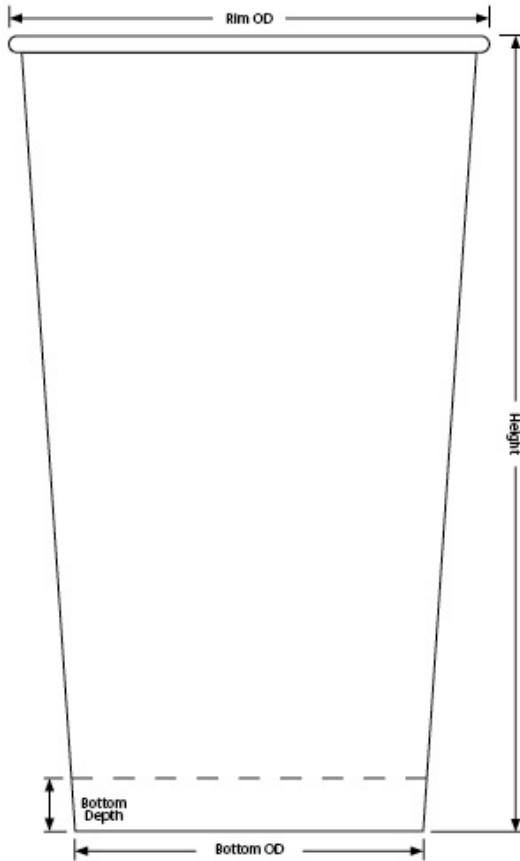




MN44 44oz Drink Cup (44)

44oz VANISH® Plastic-FREE Paper Cup



Capacity: 43.79oz / 1295.0ml

Material: 16.9pt VANISH® Plastic-FREE, Compostable, Recyclable Paper SFI PEFC Certified

Minimum: 25,000 pieces

Height: 7.480" ±.015

Rim Height: 0.150" ±.010

Rim OD: 4.525" ±.010

Bottom OD: 3.282" ±.010

Bottom Depth: 0.500" ±.010

Shipping: FOB NV

44oz Drink Cup (44) available in [Double-Poly Paper](#) [Plastic-Free Paper](#) [Clear Plastic](#)

MN44 Standard Case Pack Configuration

Box Dimensions: 23.15"x9.56"x19.95"

Box Volume: 2.56 Cubic Feet

Box Weight: 17 lbs

Box Content: 250 Pieces

Pallet Dimensions: 40.00"x48.00"x94"

Pallet Weight: 657 lbs

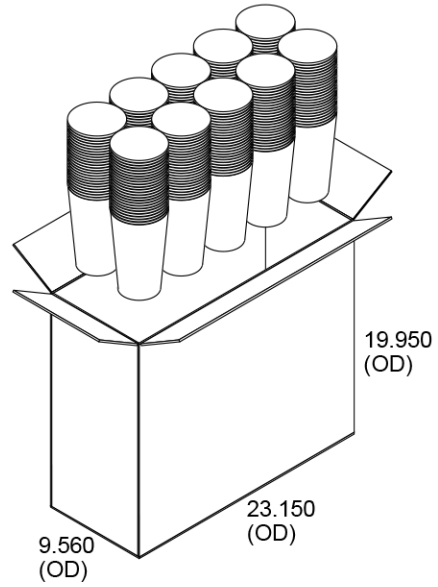
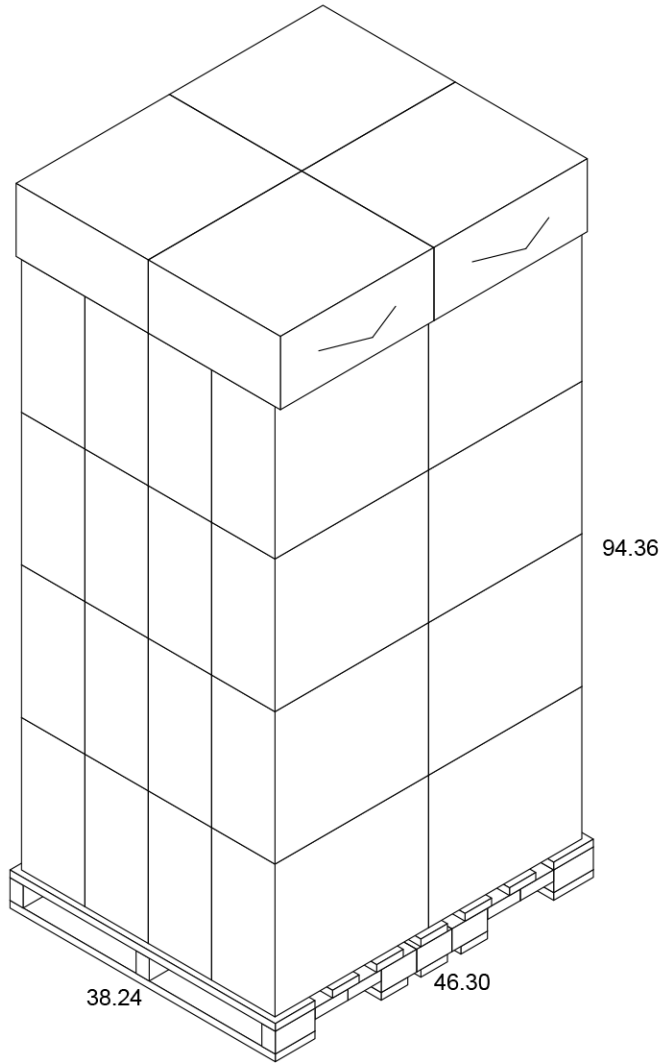
Pallet Content: 9,000 Pieces / 36 Boxes

SEE LID OPTIONS ON LAST PAGE

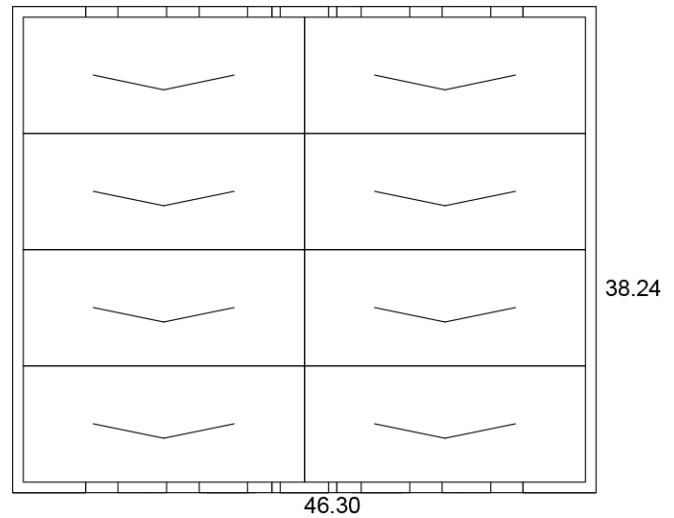
Pallet for MN44 (Matte)

44oz VANISH® Plastic-FREE Paper Cup

Pallet View



Top View



Lid Options for MN44 (Matte)

44oz VANISH® Plastic-FREE Paper Cup



P2 Printed Snap-Fit Paper

- Hi-Definition, Full Color
- Customizable
- Seamlessly registered text
- Uninterrupted text
- Three week leadtime
- Case: 500 - 15 lbs



Reusable Basic Lids

- Reusable, injection molded
- Black & white standard
- With & without straw slot
- Call for shipping info



Clear Single-Use Lid

- Clear, thermo-formed
- With straw slot
- Call for shipping info



Clear U-Dome Lid

- Clear, thermo-formed
- Container fits in lid
- Call for shipping info



Deli/Soup Lid

- Black/white thermo-formed
- Vented lid
- Call for shipping info