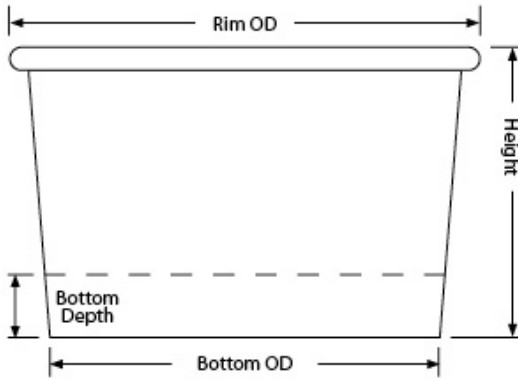




# H9T5 5oz Container (T5)

5oz T5 Paper Container-Single Poly



---

**Capacity:** 5.50oz / 161.80ml

---

**Material:** 16pt Paper, Poly 1-side, FSC SFI PEFC Certified

---

**Minimum:** 1,000 pieces

---

**Height:** 2.000"  $\pm$ .015

---

**Rim Height:** 0.150"  $\pm$ .010

---

**Rim OD:** 3.233"  $\pm$ .010

---

**Bottom OD:** 2.665"  $\pm$ .010

---

**Bottom Depth:** 0.414"  $\pm$ .010

---

**Shipping:** FOB NV

---

5oz Container (T5) available in [Double-Poly Paper](#)  
[Single-Poly Paper](#) [Plastic-Free Paper](#)

---

## H9T5 Standard Case Pack Configuration

Box Dimensions: 16.78"x13.00"x22.28"

Box Volume: 2.81 Cubic Feet

Box Weight: 18 lbs

Box Content: 1,000 Pieces

Pallet Dimensions: 40.00"x48.00"x94"

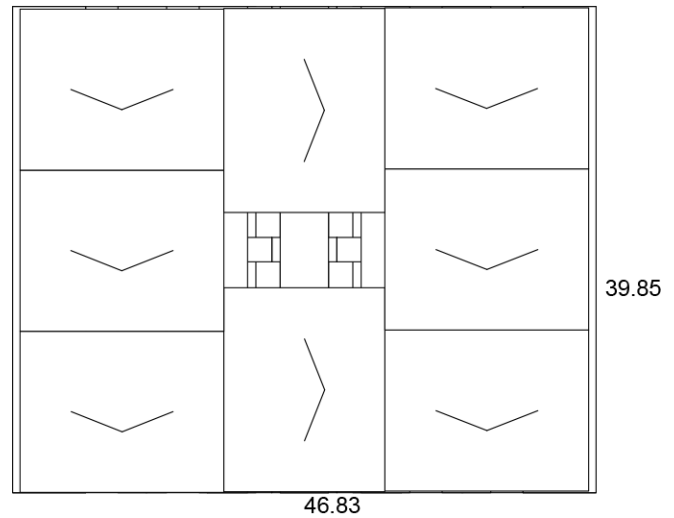
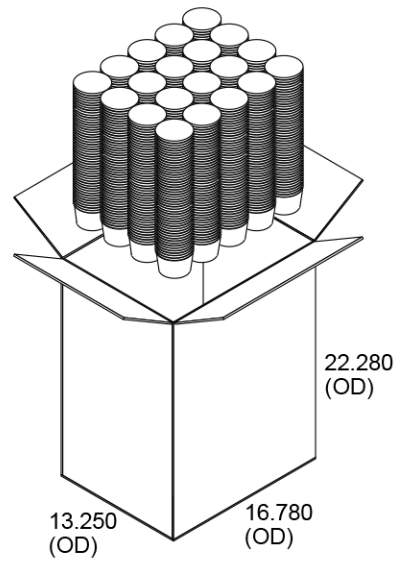
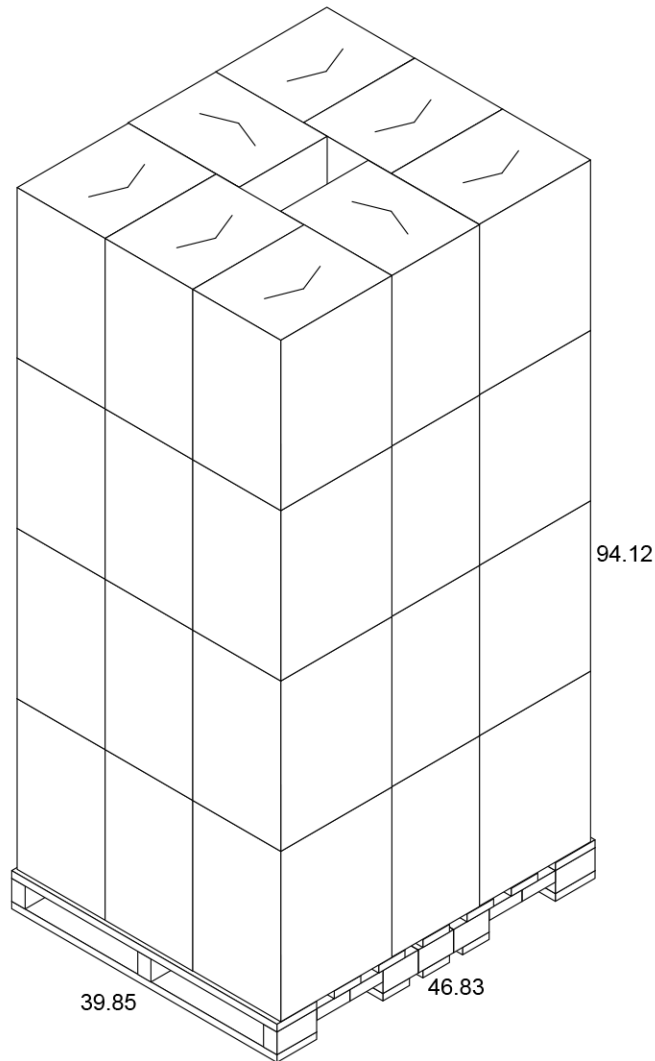
Pallet Weight: 621 lbs

Pallet Content: 32,000 Pieces / 32 Boxes

SEE LID OPTIONS ON LAST PAGE

# Pallet for H9T5

## 5oz T5 Paper Container-Single Poly



## Lid Options for H9T5 5oz T5 Paper Container-Single Poly



### P2 Printed Snap-Fit Paper

- Hi-Definition, Full Color
- Customizable
- Seamlessly registered text
- Uninterrupted text
- Three week leadtime
- Case: 500 - 9 lbs



### P2 Spoon-In Paper Lid

- Spoon pre-assembled into lid
- Hi-Definition, Full Color
- Customizable
- Seamlessly registered text
- Uninterrupted text
- Three week leadtime
- Case: 500 - 11 lbs



### Clear Single-Use Lid

- Clear, thermo-formed
- With & without straw slot
- Call for shipping info



### Clear U-Dome Lid

- Clear, thermo-formed
- Container fits in lid
- Case: 1,000 - 9 lbs