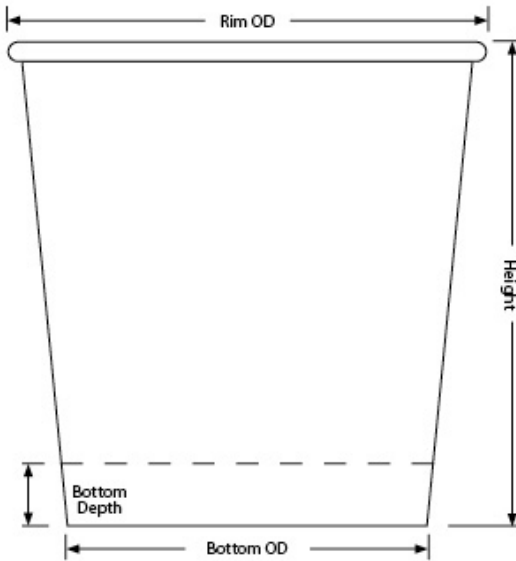




H9R6 Pint 16oz Container (R6)

16oz Pint-R6 Paper Container-Single Poly



Capacity: 16.10oz / 476.00ml

Material: 17pt Paper, Poly 1-side, FSC SFI PEFC Certified

Minimum: 1,000 pieces

Height: 3.885" \pm .015

Rim Height: 0.150" \pm .010

Rim OD: 3.839" \pm .010

Bottom OD: 2.889" \pm .010

Bottom Depth: 0.400" \pm .010

Shipping: FOB NV

Pint 16oz Container (R6) available in [Double-Poly Paper](#)
[Single-Poly Paper](#) [Plastic-Free Paper](#)

H9R6 Standard Case Pack Configuration

Box Dimensions: 19.70"x15.86"x23.83"

Box Volume: 4.31 Cubic Feet

Box Weight: 31 lbs

Box Content: 1,000 Pieces

Pallet Dimensions: 40.00"x48.00"x92"

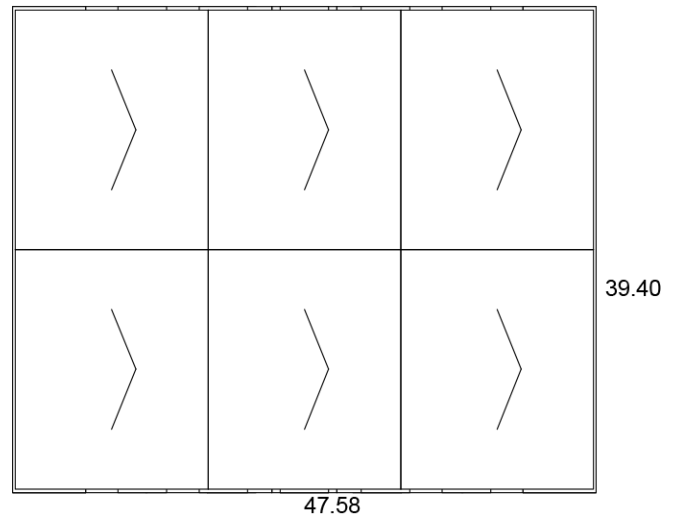
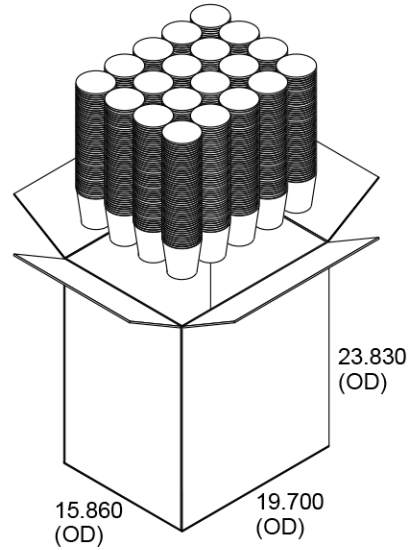
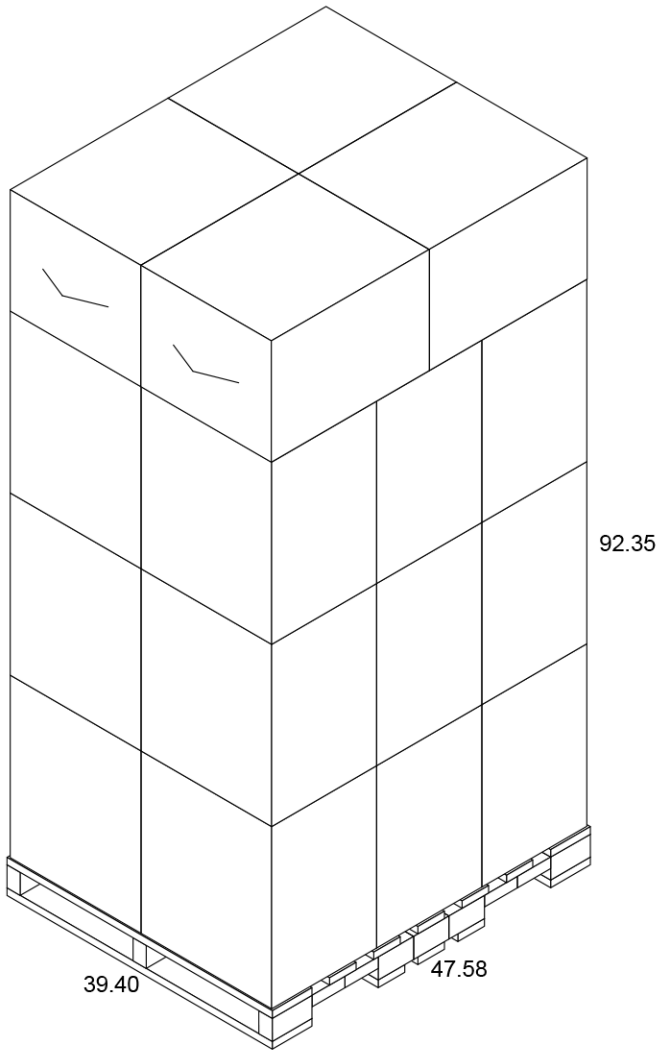
Pallet Weight: 727 lbs

Pallet Content: 22,000 Pieces / 22 Boxes

SEE LID OPTIONS ON LAST PAGE

Pallet for H9R6

16oz Pint-R6 Paper Container-Single Poly



Lid Options for H9R6

16oz Pint-R6 Paper Container-Single Poly



P2 Printed Snap-Fit Paper

- Hi-Definition, Full Color
- Customizable
- Seamlessly registered text
- Uninterrupted text
- Three week leadtime
- Case: 500 - 12 lbs



Reusable Basic Lids

- Reusable, injection molded
- Black & white standard
- With & without straw slot
- Case: 1,000 - 16 lbs



Clear Single-Use Lid

- Clear, thermo-formed
- With & without straw slot
- Case: 1,000 - 9 lbs



Ample Air Breathable Lid

- Black thermo-formed
- Breathable lid
- Case: 500 - 8 lbs



Clear U-Dome Lid

- Clear, thermo-formed
- Container fits in lid
- Case: 1,000 - 12 lbs



Deli/Soup Lid

- Black/white thermo-formed
- Vented lid
- Case: 1,000 - 10 lbs