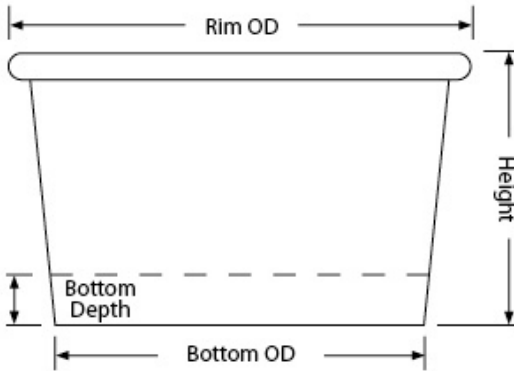




C9T3 3oz Container (T3)

3oz T3 Recycled Paper COLD Container



Capacity: 3.30oz / 98.40ml

Material: 16.5pt Recycled Paper, Poly 2-sides, 35% Sustana
Envirolife Post-Consumer Recycled Fiber, FSC SFI
PEFC Certified

Minimum: 2,000 pieces

Height: 1.645" \pm .015

Rim Height: 0.150" \pm .010

Rim OD: 2.789" \pm .010

Bottom OD: 2.215" \pm .010

Bottom Depth: 0.301" \pm .010

Shipping: FOB NV Made in the USA

3oz Container (T3) available in [Cold Paper](#) [Hot Paper](#)
[Plastic-Free](#)

C9T3 Standard Case Pack Configuration

Box Dimensions: 14.45"x11.66"x16.43"

Box Volume: 1.60 Cubic Feet

Box Weight: 14 lbs

Box Content: 1,000 Pieces

Pallet Dimensions: 40.00"x48.00"x87"

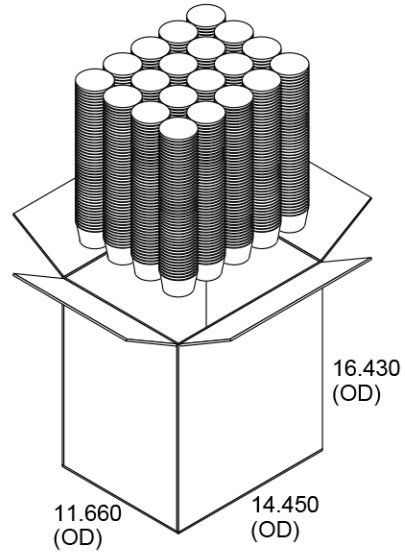
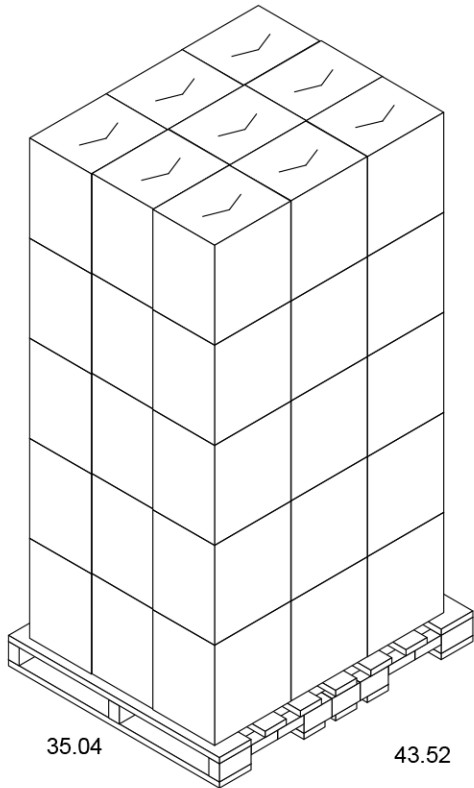
Pallet Weight: 675 lbs

Pallet Content: 45,000 Pieces / 45 Boxes

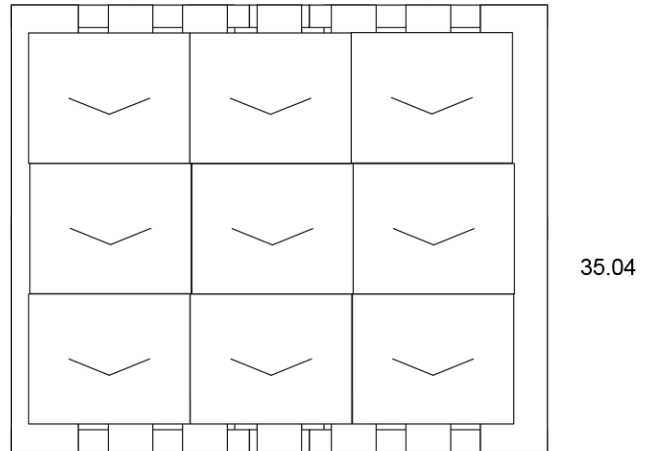
SEE LID OPTIONS ON LAST PAGE

Pallet for C9T3 (Gloss), M9T3 (Matte)

3oz T3 Recycled Paper COLD Container



87.15





Lid Options for C9T3 (Gloss), M9T3 (Matte) 3oz T3 Recycled Paper COLD Container



P2 Printed Snap-Fit Paper

- Hi-Definition, Full Color
- Customizable
- Seamlessly registered text
- Uninterrupted text
- Three week leadtime
- Case: 500 - 6 lbs



Clear Single-Use Lid

- Clear, thermo-formed
- With & without straw slot
- Call for shipping info



Clear U-Dome Lid

- Clear, thermo-formed
- Container fits in lid
- Case: 1,000 - 7 lbs