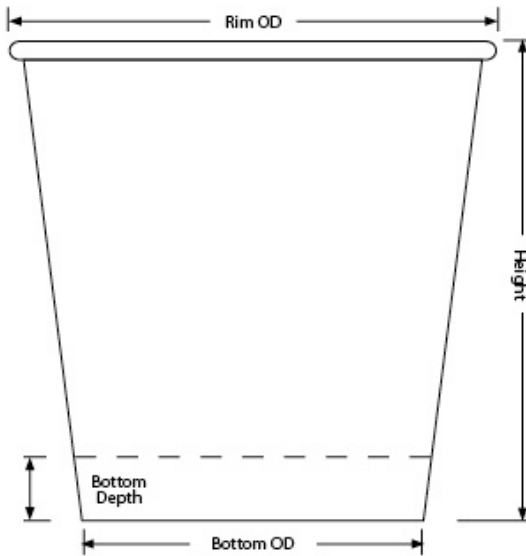




C9R4 14oz Container (R4)

14oz R4 - Paper Container-Double Poly



Capacity: 14.64oz / 433.00ml

Material: 17pt Paper, Poly 2-sides, FSC SFI PEFC Certified

Minimum: 900 pieces

Height: 3.780" \pm .015

Rim Height: 0.150" \pm .010

Rim OD: 3.839" \pm .010

Bottom OD: 2.698" \pm .010

Bottom Depth: 0.472" \pm .010

Shipping: FOB NV

14oz Container (R4) available in [Double-Poly Paper](#)
[Plastic-Free Paper](#)

C9R4 Standard Case Pack Configuration

Box Dimensions: 19.70"x15.86"x25.13"

Box Volume: 4.54 Cubic Feet

Box Weight: 29 lbs

Box Content: 900 Pieces

Pallet Dimensions: 40.00"x48.00"x96"

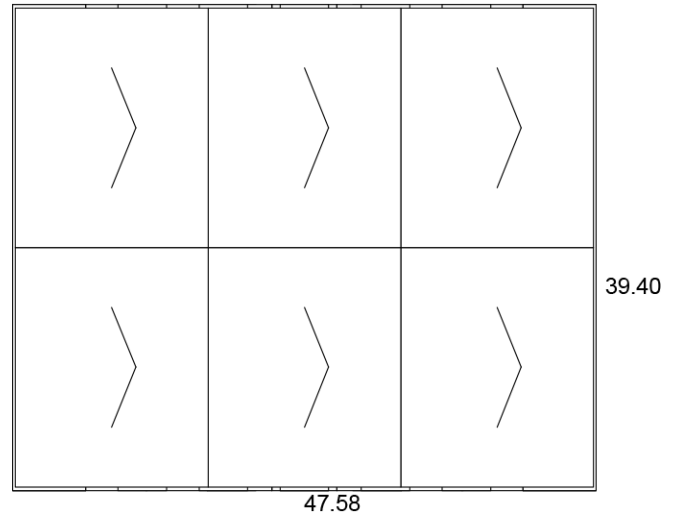
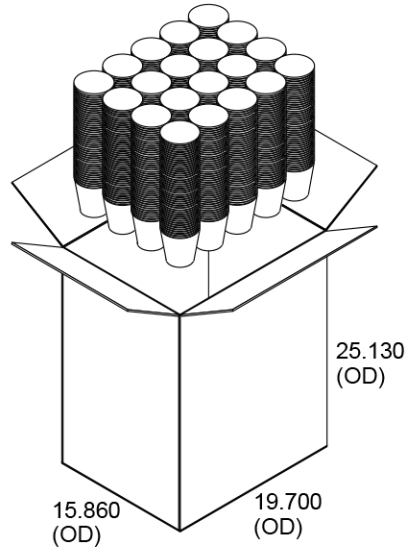
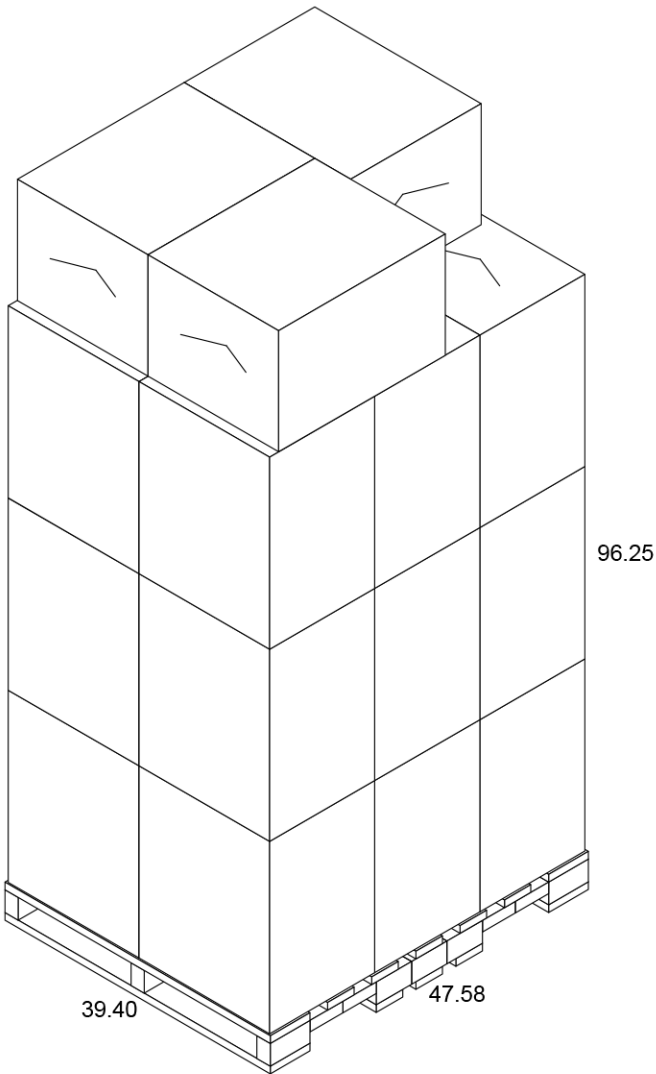
Pallet Weight: 625 lbs

Pallet Content: 18,000 Pieces / 20 Boxes

SEE LID OPTIONS ON LAST PAGE

Pallet for C9R4 (Gloss), M9R4 (Matte)

14oz R4 - Paper Container-Double Poly



Lid Options for C9R4 (Gloss), M9R4 (Matte)

14oz R4 - Paper Container-Double Poly



P2 Printed Snap-Fit Paper

- Hi-Definition, Full Color
- Customizable
- Seamlessly registered text
- Uninterrupted text
- Three week leadtime
- Case: 500 - 12 lbs



Reusable Basic Lids

- Reusable, injection molded
- Black & white standard
- With & without straw slot
- Case: 1,000 - 16 lbs



Clear Single-Use Lid

- Clear, thermo-formed
- With & without straw slot
- Case: 1,000 - 9 lbs



Ample Air Breathable Lid

- Black thermo-formed
- Breathable lid
- Case: 500 - 8 lbs



Clear U-Dome Lid

- Clear, thermo-formed
- Container fits in lid
- Case: 1,000 - 12 lbs



Deli/Soup Lid

- Black/white thermo-formed
- Vented lid
- Case: 1,000 - 10 lbs