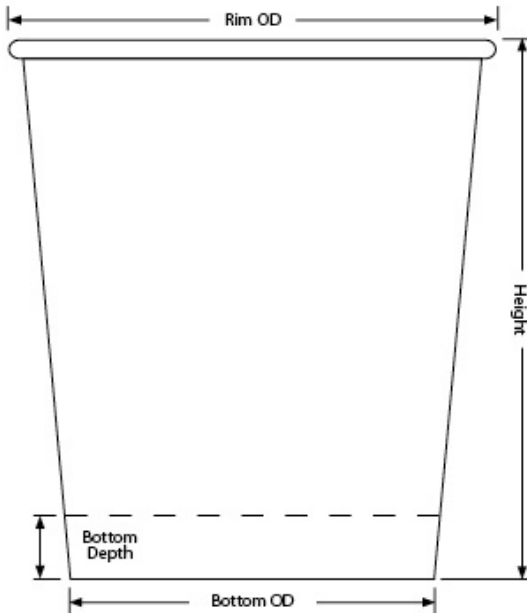




# C8R7 500ml Container (R7)

500ml -R7 Paper COLD Cup



---

**Capacity:** 17.58oz / 520.00ml

---

**Material:** 18pt Paper, Poly 2-sides, FSC SFI PEFC Certified

---

**Minimum:** 900 pieces

---

**Height:** 4.252" ±.015

---

**Rim Height:** 0.150" ±.010

---

**Rim OD:** 3.839" ±.010

---

**Bottom OD:** 2.887" ±.010

---

**Bottom Depth:** 0.433" ±.010

---

**Shipping:** FOB NV

---

500ml Container (R7) available in [Double-Poly Paper](#)  
[Plastic-Free Paper](#)

---

## C8R7 Standard Case Pack Configuration

Box Dimensions: 19.70"x16.05"x24.51"

Box Volume: 4.48 Cubic Feet

Box Weight: 34 lbs

Box Content: 900 Pieces

Pallet Dimensions: 40.00"x48.15"x95"

Pallet Weight: 793 lbs

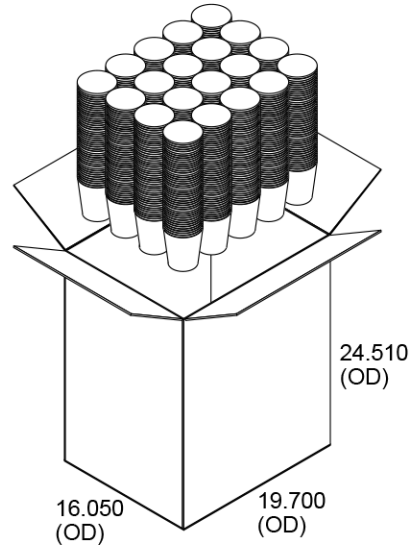
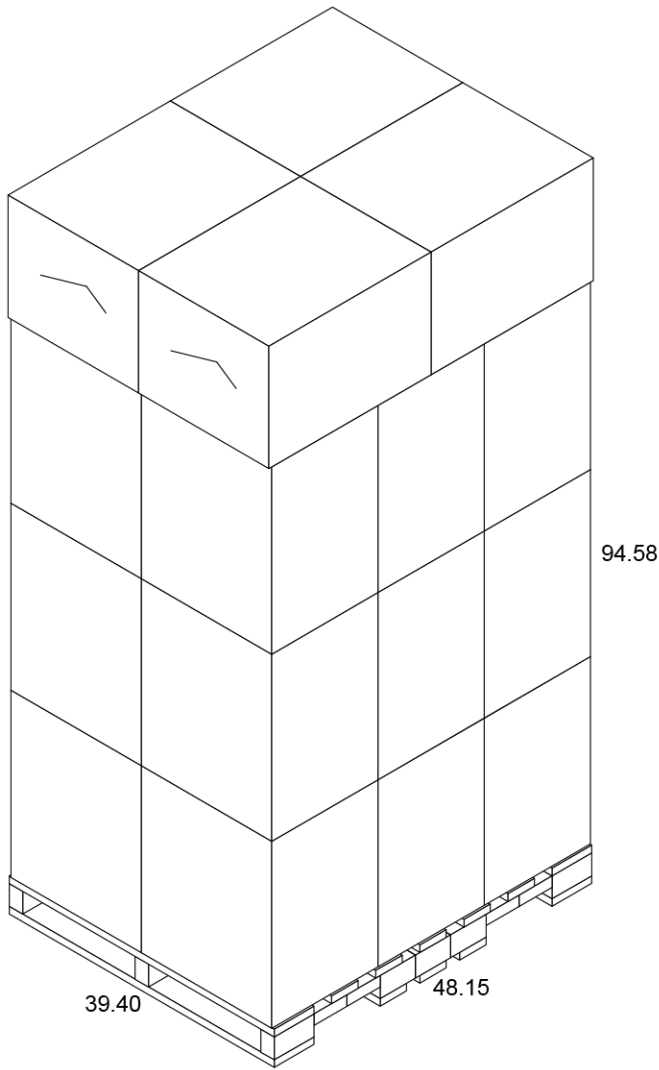
Pallet Content: 19,800 Pieces / 22 Boxes

SEE LID OPTIONS ON LAST PAGE

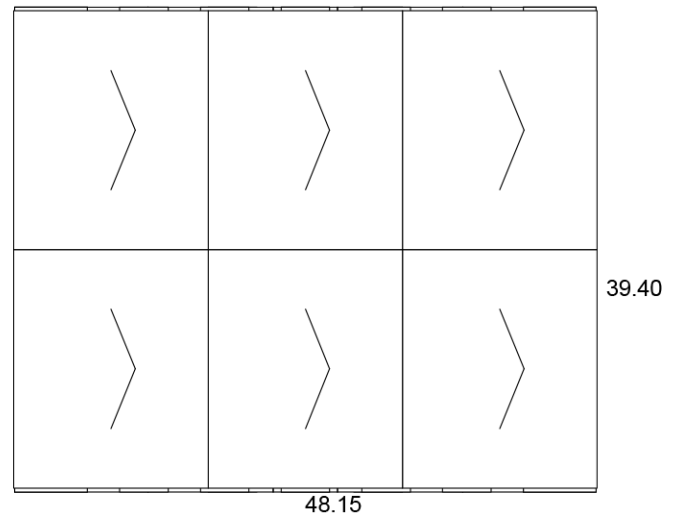
# Pallet for C8R7 (Gloss), M8R7 (Matte)

## 500ml -R7 Paper COLD Cup

Pallet View



Top View



## Lid Options for C8R7 (Gloss), M8R7 (Matte) 500ml -R7 Paper COLD Cup



### P2 Printed Snap-Fit Paper

- Hi-Definition, Full Color
- Customizable
- Seamlessly registered text
- Uninterrupted text
- Three week leadtime
- Case: 500 - 12 lbs



### Reusable Basic Lids

- Reusable, injection molded
- Black & white standard
- With & without straw slot
- Case: 1,000 - 16 lbs



### Clear Single-Use Lid

- Clear, thermo-formed
- With & without straw slot
- Case: 1,000 - 9 lbs



### Ample Air Breathable Lid

- Black thermo-formed
- Breathable lid
- Case: 500 - 8 lbs



### Clear U-Dome Lid

- Clear, thermo-formed
- Container fits in lid
- Case: 1,000 - 12 lbs



### Deli/Soup Lid

- Black/white thermo-formed
- Vented lid
- Case: 1,000 - 10 lbs