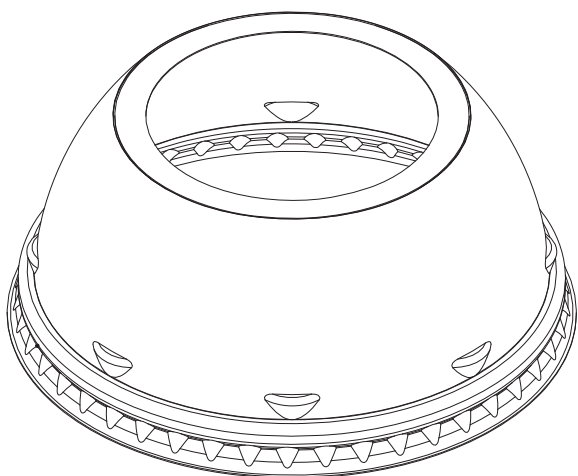
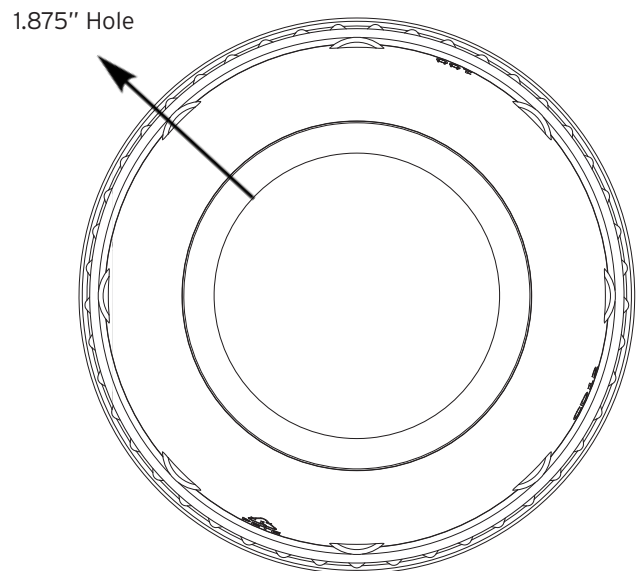
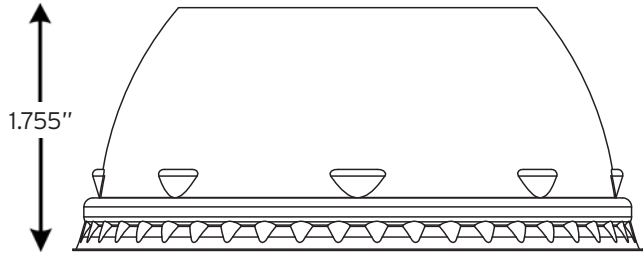




CD17 Clear High Dome

CD17N (No Hole), CD17H (Hole)



Side View

Top View

CD17 Clear High Dome Specifications

| | |
|---------------------------------------|-------|
| Theoretical Trim Diameter (Inches) | 3.840 |
| Theoretical Contour I.D. (Inches) | 3.672 |
| Theoretical Restriction I.D. (Inches) | 3.622 |
| Theoretical Lid Height (Inches) | 1.755 |
| Optional Center Hole I.D. (Inches) | 1.875 |

±0.010