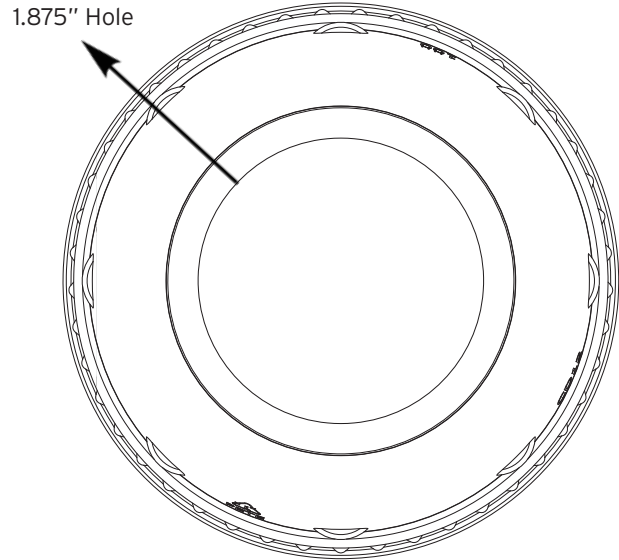
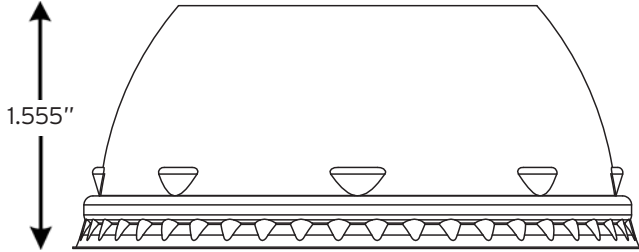


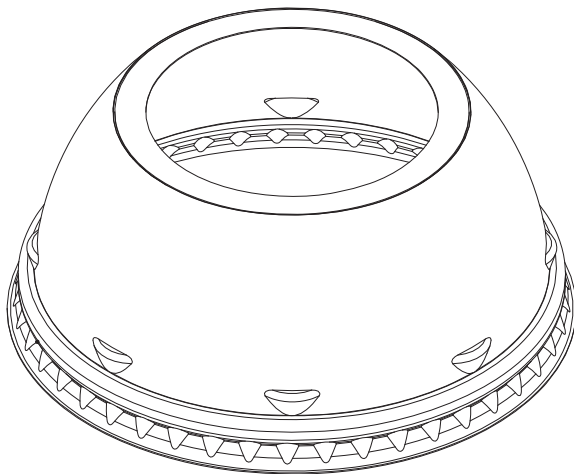


CD12 Clear High Dome

CD12N (No Hole), CD12H (Hole)



Top View



Side View

CD12 Clear High Dome Specifications

| | |
|---------------------------------------|-------|
| Theoretical Trim Diameter (Inches) | 3.690 |
| Theoretical Contour I.D. (Inches) | 3.492 |
| Theoretical Restriction I.D. (Inches) | 3.456 |
| Theoretical Lid Height (Inches) | 1.555 |
| Optional Center Hole I.D. (Inches) | 1.875 |

±0.010