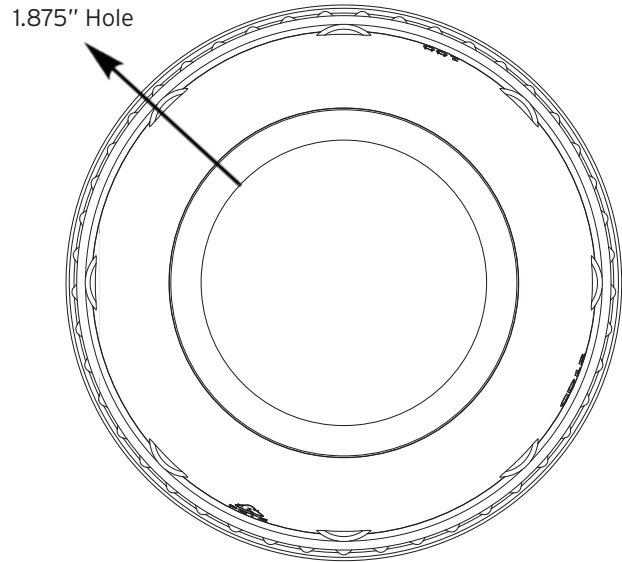
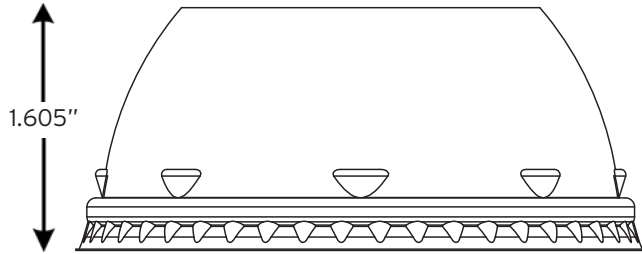


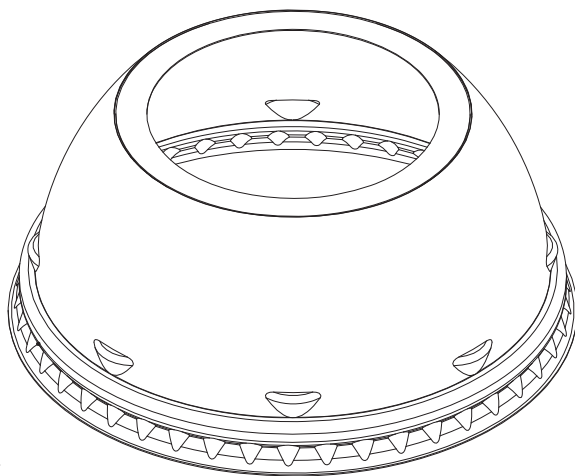


CDT8 Clear High Dome

CDT8N (No Hole), CDT8H (Hole)



Top View



Side View

CDT8 Clear High Dome Specifications

Theoretical Trim Diameter (Inches)	3.480
Theoretical Contour I.D. (Inches)	3.284
Theoretical Restriction I.D. (Inches)	3.234
Theoretical Lid Height (Inches)	1.605
Optional Center Hole I.D. (Inches)	1.875

±0.010